

MODEL #	VOLTAGE THREE PHASE (VAC)	OUTPUT CURRENT (A)		WEIGHT LBS (Kg)	HEAT LOSS (W)					
					ND (Fc=2kHz)			HD (Fc=8kHz)		
		ND	HD		INT	EXT	TOT	INT	EXT	TOT
2A0069JXX	208/240	69.0	60.0	15.4 (7.0)	184.5	461.7	646.2	151.4	437.7	589.1

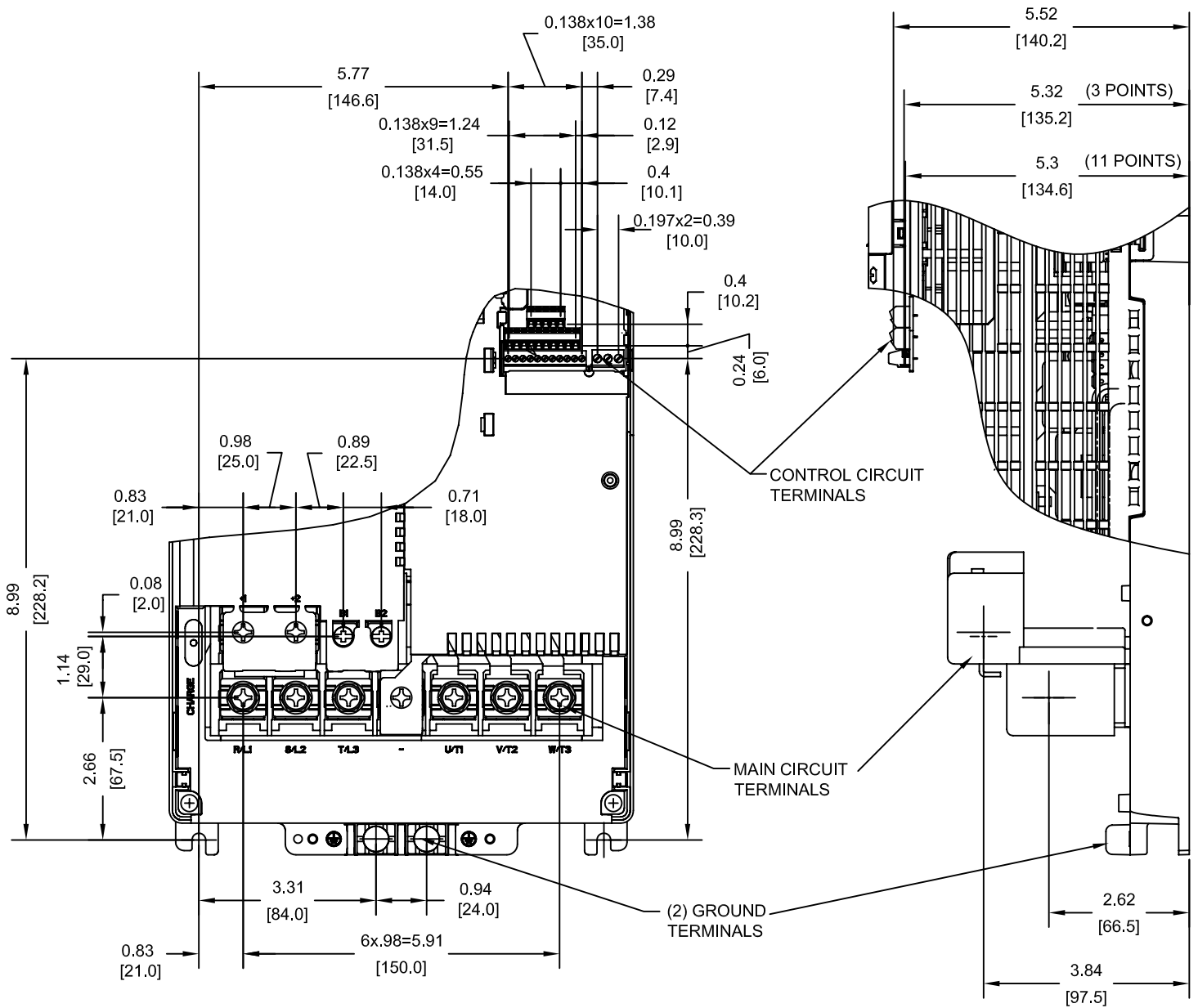
NOTE:
XX DENOTES AA-ZZ

INT=INTERNAL COMPONENTS
EXT=EXTERNAL HEATSINK
TOT=TOTAL

FOR ADDITIONAL DETAILS AND SPECIFICATIONS, CONSULT MANUAL

TOLERANCES / REFERENCES:		<p>YASKAWA The Drive for Quality™</p> <p>THIS DOCUMENT AND INFORMATION CONTAINED IN IT ARE CONFIDENTIAL, AND CANNOT BE COPIED OR DISCLOSED IN WHOLE OR IN PART WITHOUT THE EXPRESS WRITTEN CONSENT OF YASKAWA ELECTRIC AMERICA INC.</p>	DRAWN: J. MATTAS DATE 1-9-09	DATE 1-9-09	TITLE: V1000 DIMENSION DRAWING FRAME SIZE 11 FINLESS HEATSINK 2A0069J	
			CHECKED: J. PIOTROWSKI DATE 4-27-09	DATE 4-27-09		
			TECH: J. CAIRO DATE 7-7-09	DATE 7-7-09		
			APPROVED: T. SASADA DATE 7-8-09	DATE 7-8-09		
UNITS: IN[mm]	SCALE: 1:5	ORIGINAL DESIGN: -	DATE -	SIZE A	REVISION R00	PAGE 1 of 3
				DRAWING #: DD.V1K.FR11.FNL.01		

TERMINAL AND WIRING DETAILS (SCALE 1:3)



TERMINAL AND WIRE SPECIFICATIONS FOR
 MAIN CIRCUIT AND GROUND

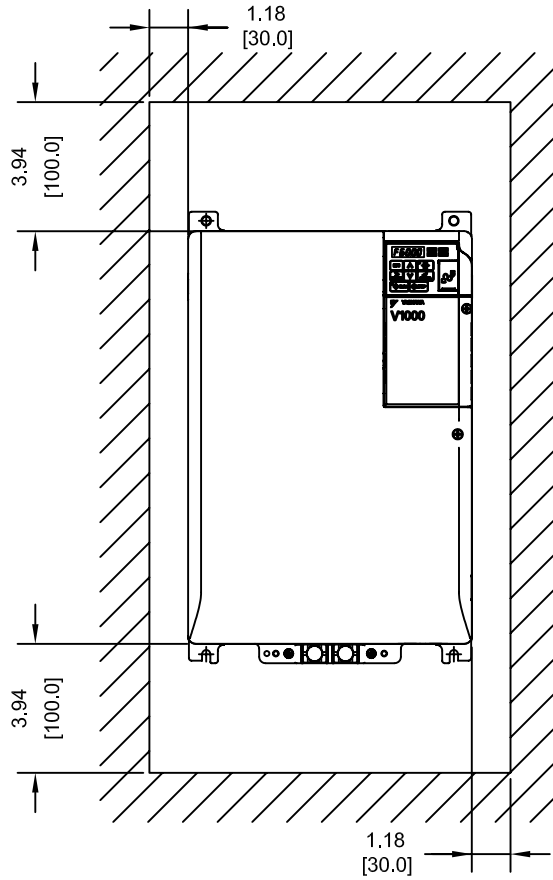
MODEL # CIMR-VU	TERMINAL SYMBOL	TERMINAL SCREW	CLAMPING TORQUE lb.in.(N.m.)	WIRE RANGE AWG(mm ²)
2A0069J	R/L1, S/L2, T/L3, ⊙, ⊕1, ⊕2, U/T1, V/T2, W/T3	M8	79.7 TO 97.4 (9 TO 11)	10-2 (5.5-38)
	B1, B2	M5	17.7 TO 22.1 (2 TO 2.5)	8-6 (8-14)
	⊕	M6	35.4 TO 53.1 (4 TO 6)	8-4 (8-22)

NOTE: RATINGS APPLY TO BOTH FACTORY AND FIELD WIRING
 REFER TO APPLICABLE CODES FOR PROPER WIRE TYPE AND SIZE

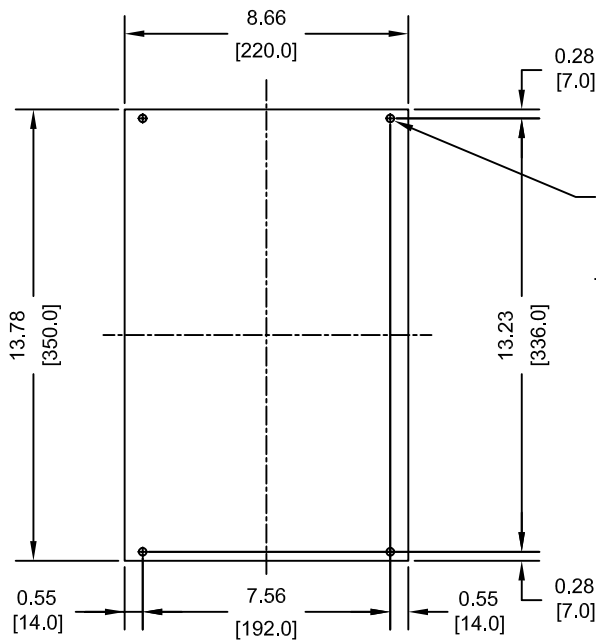
FOR ADDITIONAL DETAILS AND SPECIFICATIONS, CONSULT MANUAL

TOLERANCES / REFERENCES:			DRAWN: J. MATTAS DATE: 1-9-09	TITLE: V1000 DIMENSION DRAWING FRAME SIZE 11 FINLESS HEATSINK 2A0069J
UNITS: IN [mm] SCALE: BY VIEW			CHECKED: J. PIOTROWSKI DATE: 4-27-09	DATE: 7-7-09
THIS DOCUMENT AND INFORMATION CONTAINED IN IT ARE CONFIDENTIAL, AND CANNOT BE COPIED OR DISCLOSED IN WHOLE OR IN PART WITHOUT THE EXPRESS WRITTEN CONSENT OF YASKAWA ELECTRIC AMERICA INC.		TECH: J. CAIRO DATE: 7-8-09	DATE: 7-8-09	PAGE 2 of 3
		APPROVED: T. SASADA	DATE: 7-8-09	DRAWING #: DD.V1K.FR11.FNL.01

MINIMUM INSTALLATION CLEARANCES (SCALE 1:6)



MOUNTING DIMENSIONS (SCALE 1:6)



(4)-MOUNTING HOLES FOR 1/4"[M6] SCREWS

NOTES:

1. MOUNTING PLATE PROPERTIES
 - FLATNESS SHALL NOT EXCEED 0.2mm
 - ROUGHNESS SHALL NOT EXCEED 25S
 - TEMP. SHALL NOT EXCEED 90C (194F)
2. APPLY THERMAL COMPOUND BETWEEN HEATSINK AND MOUNTING PLATE.
3. MOUNTING SCREW TORQUE
 - 4.0-5.0 Nm (2.95-3.69 ft-lbf)
4. SEE MANUAL FOR COMPLETE DETAILS

TOLERANCES / REFERENCES:		<p>YASKAWA The Drive for Quality™</p> <p>THIS DOCUMENT AND INFORMATION CONTAINED IN IT ARE CONFIDENTIAL, AND CANNOT BE COPIED OR DISCLOSED IN WHOLE OR IN PART WITHOUT THE EXPRESS WRITTEN CONSENT OF YASKAWA ELECTRIC AMERICA INC.</p>	DRAWN: J. MATTAS DATE: 1-9-09	DATE: 1-9-09	TITLE: V1000 DIMENSION DRAWING FRAME SIZE 11 FINLESS HEATSINK 2A0069J	
			CHECKED: J. PIOTROWSKI DATE: 4-27-09	DATE: 4-27-09		
			TECH: J. CAIRO DATE: 7-7-09	DATE: 7-7-09		
			APPROVED: T. SASADA DATE: 7-8-09	DATE: 7-8-09		
UNITS: IN[mm]	SCALE: BY VIEW	ORIGINAL DESIGN: -	DATE: -	SIZE: A	REVISION: R00	PAGE: 3 of 3
			DRAWING #: DD.V1K.FR11.FNL.01			